



Agilent MSA-0370 Cascadable Silicon Bipolar MMIC Amplifiers

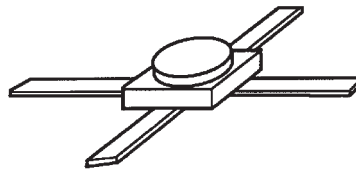
Data Sheet

Description

The MSA-0370 is a high performance silicon bipolar Monolithic Microwave Integrated Circuit (MMIC) housed in a hermetic, high reliability package. This MMIC is designed for use as a general purpose 50 Ω gain block. Typical applications include narrow and broad band IF and RF amplifiers in industrial and military applications.

The MSA-series is fabricated using Agilent's 10 GHz f_T , 25 GHz f_{MAX} , silicon bipolar MMIC process which uses nitride self-alignment, ion implantation, and gold metallization to achieve excellent performance, uniformity and reliability. The use of an external bias resistor for temperature and current stability also allows bias flexibility.

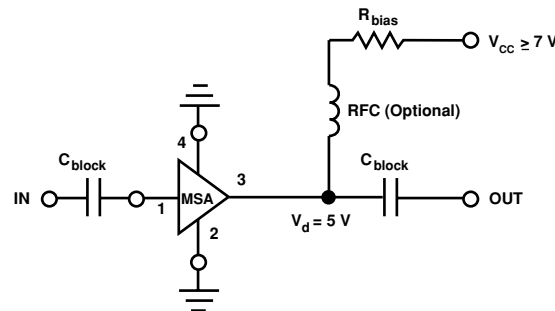
70 mil Package



Features

- Cascadable 50 Ω Gain Block
- 3 dB Bandwidth:
DC to 2.8 GHz
- 12.0 dB Typical Gain at
1.0 GHz
- 10.0 dBm Typical P_{1dB} at
1.0 GHz
- Unconditionally Stable
($k > 1$)
- Hermetic Gold-ceramic
Microstrip Package

Typical Biasing Configuration



MSA-0370 Absolute Maximum Ratings

Parameter	Absolute Maximum ^[1]
Device Current	80 mA
Power Dissipation ^[2,3]	425 mW
RF Input Power	+13 dBm
Junction Temperature	200°C
Storage Temperature	-65 to 200°C

Thermal Resistance^[2,4]:
 $\theta_{jc} = 125^{\circ}\text{C}/\text{W}$

Notes:

1. Permanent damage may occur if any of these limits are exceeded.
2. $T_{\text{CASE}} = 25^{\circ}\text{C}$.
3. Derate at 8 mW/°C for $T_{\text{C}} > 147^{\circ}\text{C}$.
4. The small spot size of this technique results in a higher, though more accurate determination of θ_{jc} than do alternate methods.

Electrical Specifications^[1], $T_{\text{A}} = 25^{\circ}\text{C}$

Symbol	Parameters and Test Conditions: $I_{\text{d}} = 35 \text{ mA}$, $Z_{\text{o}} = 50 \Omega$	Units	Min.	Typ.	Max.
G_{P}	Power Gain ($ S_{21} ^2$) $f = 0.1 \text{ GHz}$	dB	11.5	12.5	13.5
ΔG_{P}	Gain Flatness $f = 0.1 \text{ to } 1.8 \text{ GHz}$	dB		± 0.6	± 1.0
$f_{3 \text{ dB}}$	3 dB Bandwidth	GHz		2.8	
VSWR	Input VSWR $f = 0.1 \text{ to } 3.0 \text{ GHz}$			1.8:1	
	Output VSWR $f = 0.1 \text{ to } 3.0 \text{ GHz}$			1.8:1	
NF	50 Ω Noise Figure $f = 1.0 \text{ GHz}$	dB		6.0	
$P_{1 \text{ dB}}$	Output Power at 1 dB Gain Compression $f = 1.0 \text{ GHz}$	dBm		10.0	
IP_3	Third Order Intercept Point $f = 1.0 \text{ GHz}$	dBm		23.0	
t_{D}	Group Delay $f = 1.0 \text{ GHz}$	psec		125	
V_{d}	Device Voltage	V	4.5	5.0	5.5
dV/dT	Device Voltage Temperature Coefficient	mV/°C		-8.0	

Notes:

1. The recommended operating current range for this device is 20 to 50 mA. Typical performance as a function of current is on the following page.

MSA-0370 Typical Scattering Parameters ($Z_0 = 50 \Omega$, $T_A = 25^\circ\text{C}$, $I_d = 35 \text{ mA}$)

Freq. GHz	S_{11}		S_{21}			S_{12}			S_{22}	
	Mag	Ang	dB	Mag	Ang	dB	Mag	Ang	Mag	Ang
0.1	.13	-179	12.6	4.27	176	-18.6	.118	2	.09	-14
0.2	.13	-180	12.6	4.25	171	-18.3	.121	2	.10	-29
0.4	.12	-180	12.5	4.21	162	-18.4	.121	4	.12	-52
0.6	.11	-178	12.4	4.17	154	-18.2	.123	6	.14	-70
0.8	.11	-174	12.3	4.11	146	-17.8	.129	8	.17	-82
1.0	.10	-168	12.2	4.06	137	-17.7	.130	8	.20	-92
1.5	.11	-149	11.7	3.85	116	-17.1	.140	11	.24	-114
2.0	.16	-147	11.1	3.57	96	-16.2	.155	11	.27	-134
2.5	.22	-151	10.3	3.27	82	-15.6	.167	14	.27	-146
3.0	.28	-160	9.3	2.91	65	-15.2	.174	11	.27	-159
3.5	.33	-169	8.2	2.58	48	-14.5	.188	7	.26	-163
4.0	.36	-177	7.1	2.27	34	-14.3	.192	3	.25	-162
5.0	.38	163	5.1	1.81	9	-13.8	.203	-5	.23	-153
6.0	.39	132	3.4	1.48	-14	-13.5	.213	-13	.24	-160

Typical Performance, $T_A = 25^\circ\text{C}$

(unless otherwise noted)

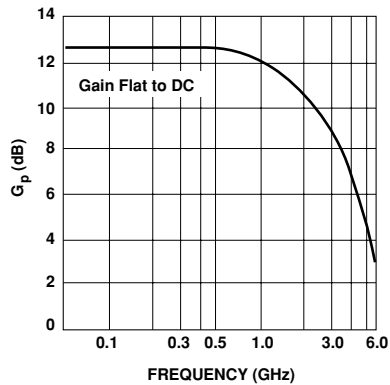


Figure 1. Typical Power Gain vs. Frequency, $T_A = 25^\circ\text{C}$, $I_d = 35 \text{ mA}$.

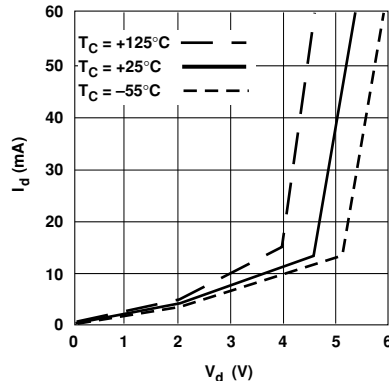


Figure 2. Device Current vs. Voltage.

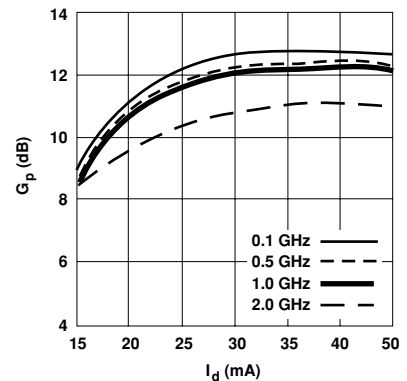


Figure 3. Power Gain vs. Current.

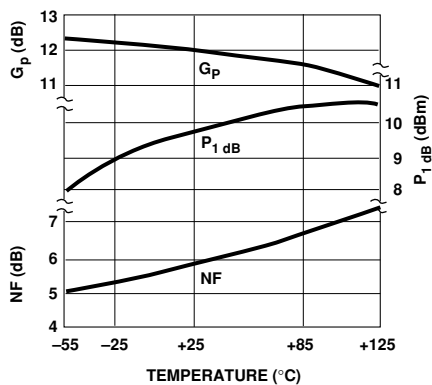


Figure 4. Output Power at 1 dB Gain Compression, NF and Power Gain vs. Mounting Surface Temperature, $f = 1.0 \text{ GHz}$, $I_d = 35 \text{ mA}$.

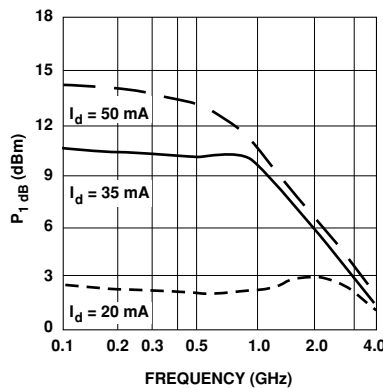


Figure 5. Output Power at 1 dB Gain Compression vs. Frequency.

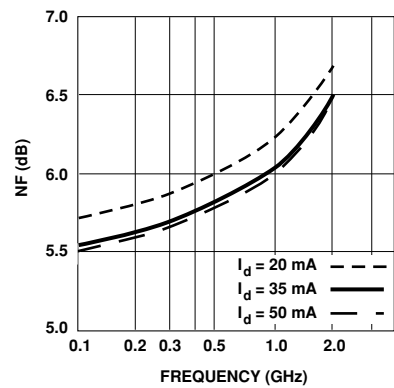
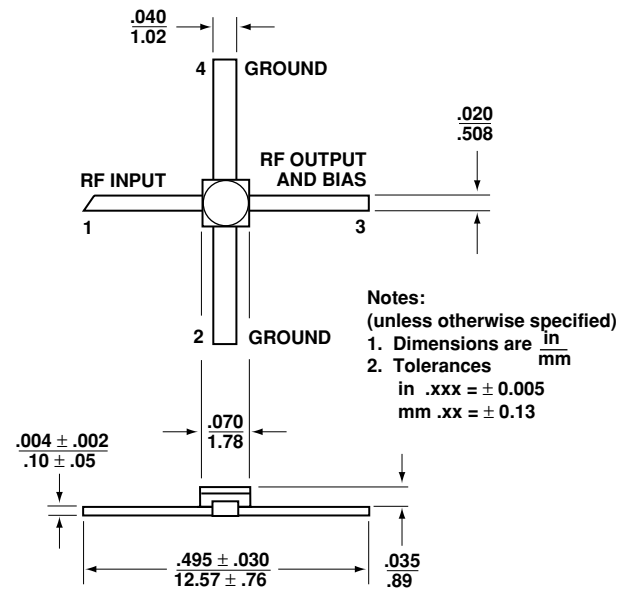


Figure 6. Noise Figure vs. Frequency.

Ordering Information

Part Numbers	No. of Devices	Comments
MSA-0370	10	Bulk

70 mil Package Dimensions



www.agilent.com/semiconductors

For product information and a complete list of distributors, please go to our web site.

For technical assistance call:

Americas/Canada: +1 (800) 235-0312 or (916) 788-6763

Europe: +49 (0) 6441 92460

China: 10800 650 0017

Hong Kong: (65) 6756 2394

India, Australia, New Zealand: (65) 6755 1939

Japan: (+81 3) 3335-8152(Domestic/International), or 0120-61-1280(Domestic Only)

Korea: (65) 6755 1989

Singapore, Malaysia, Vietnam, Thailand, Philippines, Indonesia: (65) 6755 2044

Taiwan: (65) 6755 1843

Data subject to change.

Copyright © 2005 Agilent Technologies, Inc.

Obsoletes 5966-4953E

April 4, 2005

5989-2765EN



Agilent Technologies